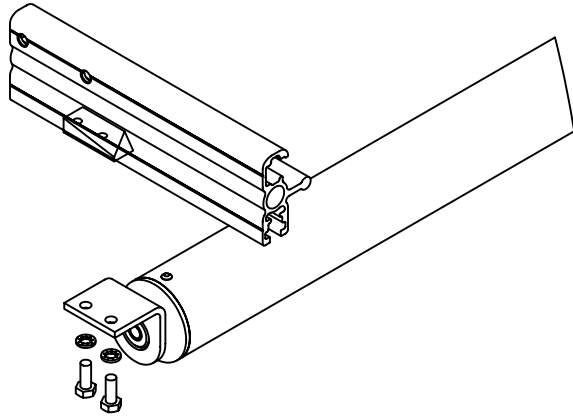


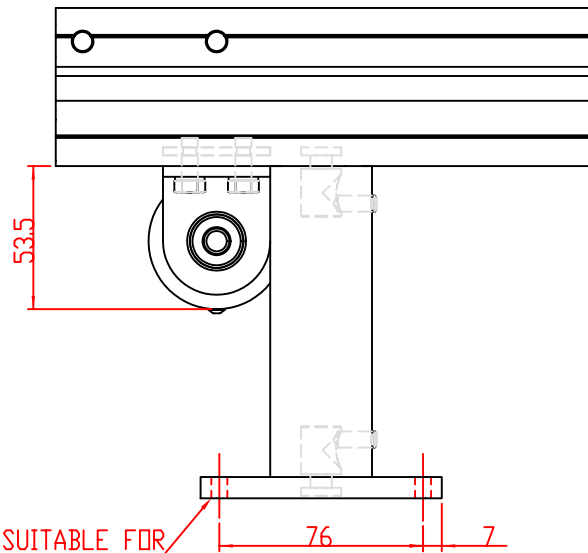
PRODUCTION	APPROVED FOR PRODUCTION
PURCHASING	APPROVED FOR PURCHASING
SALES	NO
MARKETING	NO



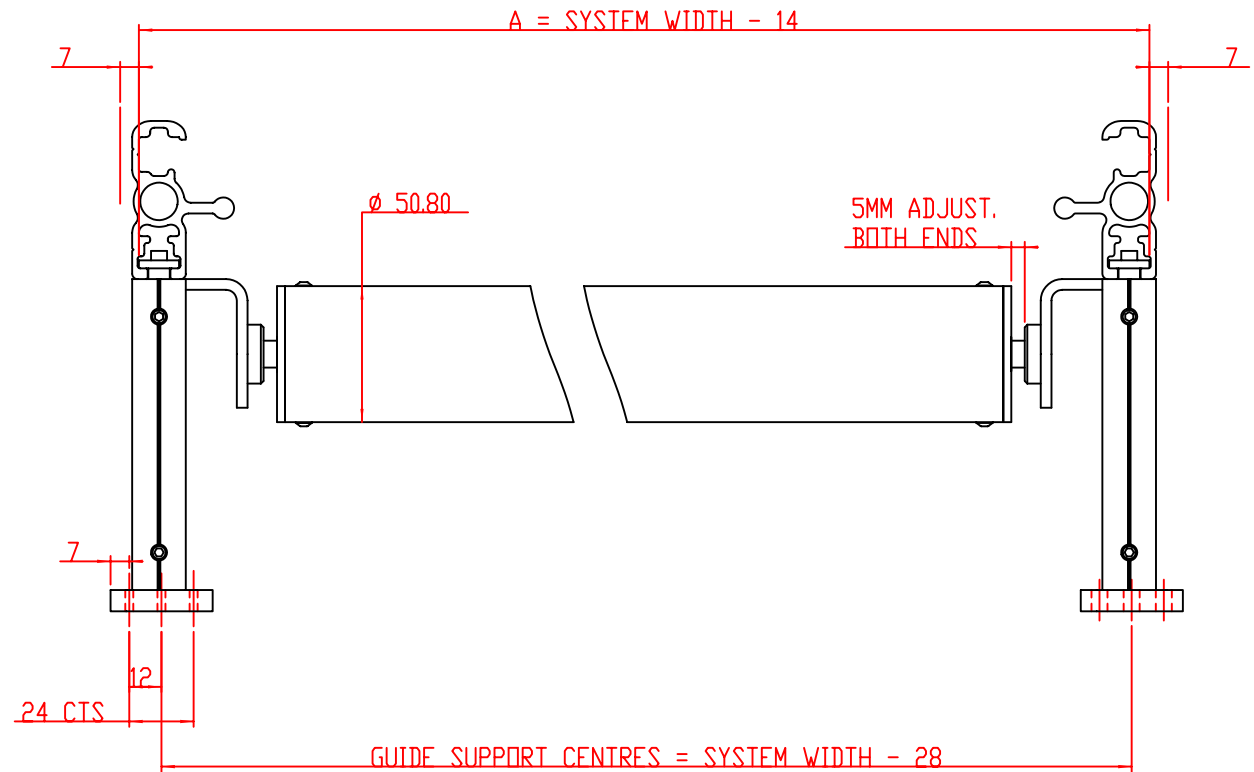
NOTE

FIT THE ADDITIONAL MOUNTING KIT (T20475) ADJACENT TO RELIEVING ROLLER BRACKET (TESS 400/420 SHOWN)

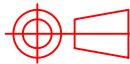
FOR INSTALLATION OF TESS 120 RELIEVING ROLLER SEE GDP10999



6 HOLES SUITABLE FOR M6 OR No 12 SCREWS - NOT SUPPLIED



THIRD ANGLE PROJECTION



This drawing is copyright and the exclusive property of GUTHRIE DOUGLAS LTD. and must not be copied, used or exhibited without prior written consent.

Customer

RELIEVING ROLLER FOR TESS 420

Product Group

SOLAR

Material

Scale

Size

1:2

A3

Drawn  
Jenniferp

Date  
26-01-2001

Checked

Date

& TESS 400 INSTALLATIONS

DRG.NO:

GDP20609

/

SHEET

8

SHEETS

Guthrie Douglas

12 Heathcote Way, Heathcote Ind. Est;  
Warwick, CV34 6TE, England.  
Tel:(01926)452452 Fax:(01926)336417

Surface Finish

Special

REMOVE ALL SHARP EDGES

IF IN DOUBT ASK DO NOT SCALE

GENERAL TOLERANCES TO ISO2768-m

ALL DIMS.IN mm DRAWN TO BS308